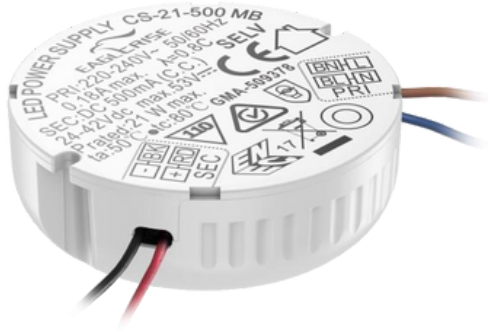


21W Constant Current -CS Series



■ Approve



Features

Class II, SELV, Built-in
Input Voltage 220-240VAC
Protections: SCP/OLP/OVP
Power Factor 0.8C
Efficiency $\geq 85\%$
5 years warranty

Applications

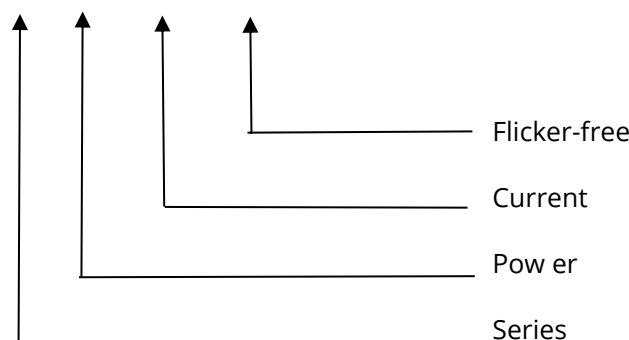
LED down light、LED spot light
LED ceiling light

Description

CS-21-XXX MB is a 21W constant current LED driver with 250mA to 700mA output current. With its compact dimensions from $\Phi 66 \times 25.8\text{mm}$ it is easy to integrate in LED down light、LED spot light、LED ceiling light products. To ensure trouble-free operation, protection is provided against output short circuit and over Load.

Model code

CS-21-XXX MB



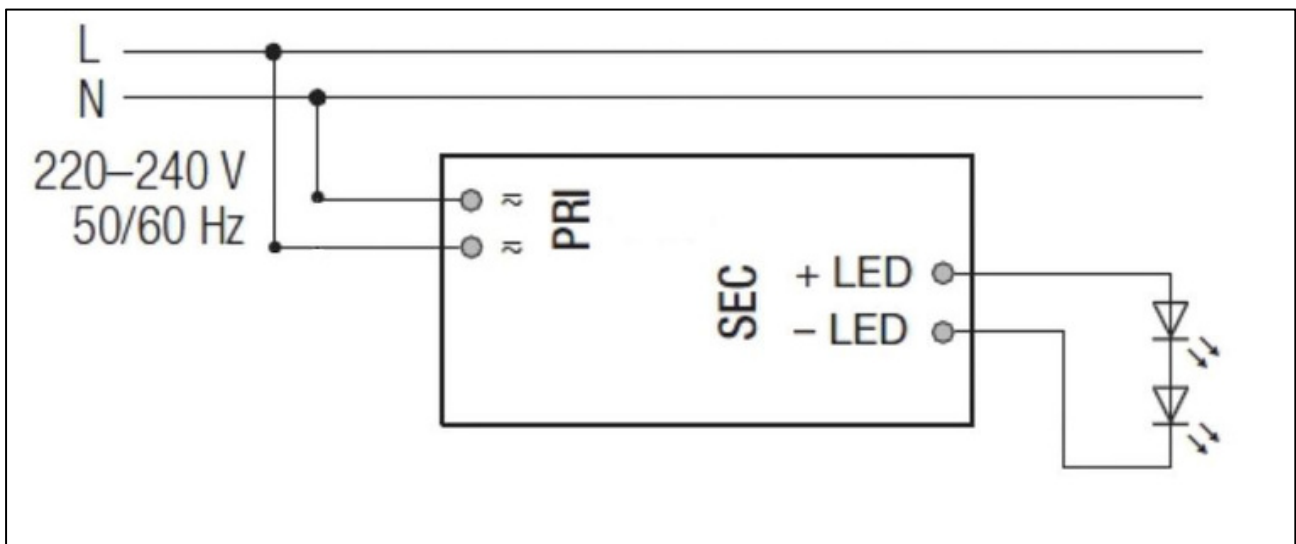
Specification

Output	Constant Current	250mA	300mA	...	700mA
	Voltage Range	56-84VDC	42-70VDC	...	18-30VDC
	Unload voltage Max.	98VDC	80VDC	...	4 0VDC
	Current Accuracy	±5%			
	Output HF current ripple(≥1KHz)	±5%			
	Output LF current ripple(≤120Hz)	±5%			
	SVM	≤0.4@FullLoad			
	Pst	≤1@FullLoad			
	Efficiency(Typ.)	≥85%			
Input	Rated input voltage	220-240VAC			
	Range of input voltage	198-264VAC			
	Frequency(Hz)	50/60Hz			
	Displacement factor	≥0.9			
	Power Factor	0.8C			
	Input Currentmax	0.18A			
	Start-up time	<0.5S			
	No Load Power	≤0.5W			
Protection	Over Load Protection	103-120%			
		YES/Auto Resume			
	Over Voltage Protection	>98VDC	>80VDC	...	>40VDC
		YES/Auto Resume			
Environment	Short circuit Protection	YES/AutoResume			
	Operating Temperature	-20°C~+50°C			
	Humidity	20%-90%RH			
	Tc	80°C			
	Storage Temperature	-25°C~+60°C			
Surface	Lifetime	>50000h@Tc=75°C,230VAC			
Dimension	Φ66X25.8(DXH)mm				
s standards	EN61347-1; EN61347-2-13;EN62384; EN55015;EN61000-3-2 ;EN61000-3-3; EN61547;				
Others	ErP	EU2019/2020			
	RoHS	RoHS(2011/65/EU) (EU)2015/863			
Note	<p>1.All parameters NOT specially mentioned are measured at 230VAC input , full load and 25°C of ambient temperature.</p> <p>2.Ripple & Noise are measured at 20MHz of bandwidth by using a 300mm twisted pair-wire terminated with a 0.1uF & 47 uF parallel capacitor.</p>				

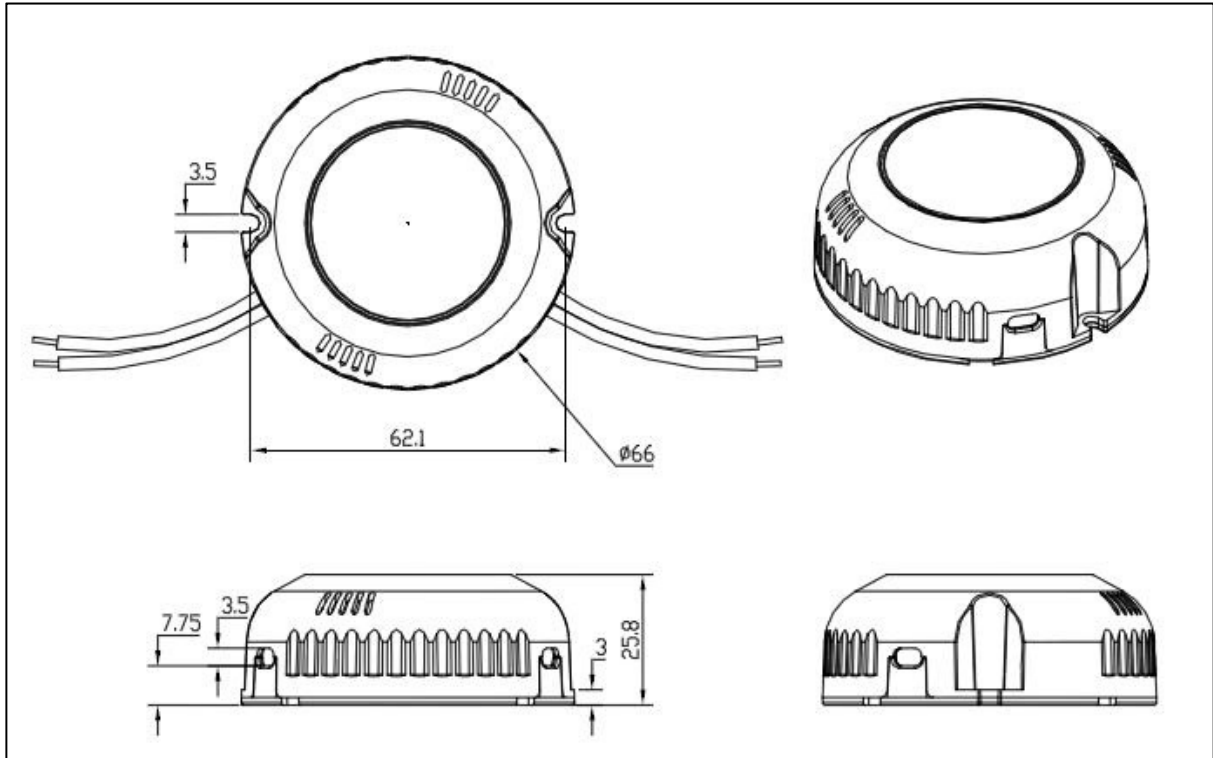
Model list

NO.	Model number	Input			Output			Max.Prated(W)
		Voltage (VAC)	Current (A)	Frequency (Hz)	Constant current (mA)	Normal working voltage (VDC)	No load working voltage (VDC)	
1	CS-21-250 MB	220-240	0.18	50/60	250	56-84	98	21
2	CS-21-300 MB				300	42-70	80	21
3	CS-21-350 MB				350	36-60	70	21
4	CS-21-400 MB				400	30-50	60	20
5	CS-21-450 MB				450	27-46	58	20.7
6	CS-21-500 MB				500	24-42	53	21
7	CS-21-550 MB				550	23-38	50	20.9
8	CS-21-600 MB				600	21-35	45	21
9	CS-21-650 MB				650	20-32	42	20.8
10	CS-21-700 MB				700	18-30	40	21

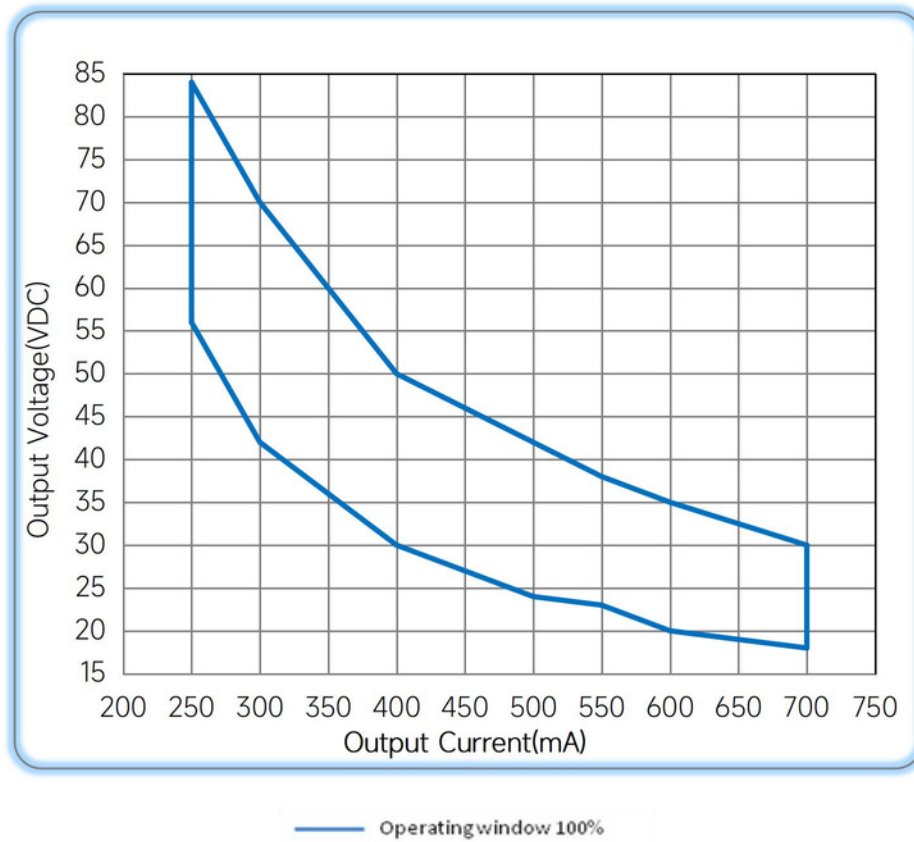
Wiring diagram



2D diagram



Operating window



Revision Updates

ITEM	BEFORE	AFTER	VERSION	DATE
Initial			A	2022/05/15